

## GENERAL PURPOSE HOSE CLIPS



Hi-Grip general purpose worm drive hose clips are widely regarded for their quality, durability and ability to withstand a great deal of abuse. They are manufactured to exceed BS5315, which has the highest requirements of any of the international standards and tests sealing ability, clamping force and torque. Also has BSI Kitemark and NATO approval, and exceeds all operational requirements of the relevant DIN and SAE standards.

### ZINC PLATED

Used for a wide variety of domestic, automotive and industrial applications, the standard Hi-Grip hose clip is made from mild steel, electroplated, passivated and tested to EN9227.

### 304 STAINLESS STEEL (A2)

Hi-Grip stainless steel worm drive hose clips have become the industry standard for demanding applications throughout the world due to their exceptional quality and performance.

Made entirely from 18/8 marine quality stainless steel and with Lloyds Register Approval, they are ideal for salt water and other highly corrosive environments.

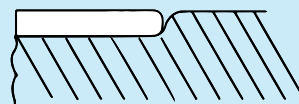
### 316 STAINLESS STEEL (A4)

Principally aimed at the marine, food, petro-chemical and pharmaceutical industries, the Hi-Grip 316 hose clip is made entirely from BS316 EN 1.4401/1.4578 austenitic stainless steel, providing the the same superior performance as the rest of the Hi-Grip range but with maximum corrosion resistance.

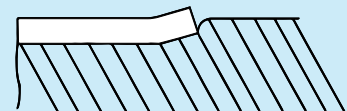
Lloyd's Register Type Approved for marine, offshore and industrial use.

### ULTIMATE PROTECTION

All HI-GRIP and HI-GRIP STAINLESS hose clips have fully rounded edges to give the best possible protection to the hose.



JCS band edges



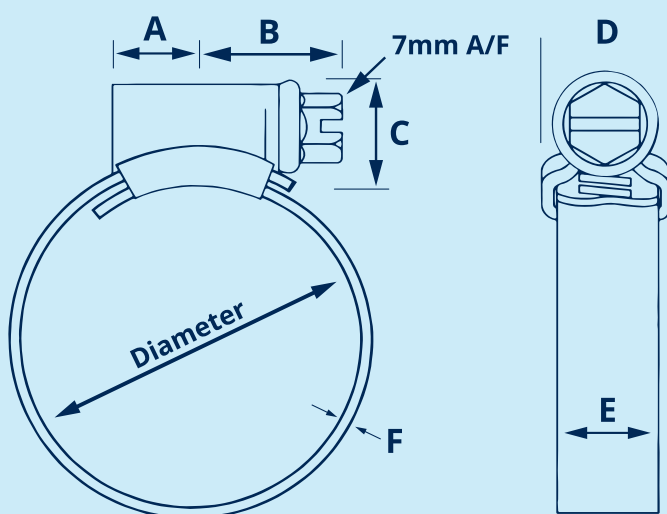
Typical hose clip with turned edges

## THE RANGE

Size	No.	Dia mm	Dia ins	Size	No.	Dia mm	Dia ins
12	000	9.5-12	3/8 - 1/2	160	7	130-160	5 1/8 - 6 1/4
16	M00	11-16	1/2 - 5/8	180	-	150-180	5 7/8 - 7 1/8
20	00	13-20	1/2 - 3/4	200	-	170-200	6 5/8 - 7 7/8
22	0	14-22	5/8 - 7/8	220	-	190-220	7 1/2 - 8 5/8
25	0X	17-25	3/4 - 1	240	-	210-240	8 1/4 - 9 1/2
30	1A	22-30	7/8 - 1 1/8	260	-	230-260	9 - 10 1/4
35	1	25-35	1 - 1 3/8	280	-	250-280	9 7/8 - 11
40	1X	30-40	1 1/8 - 1 5/8	300	-	270-300	10 5/8 - 11 3/4
45	-	35-45	1 3/8 - 1 3/4	320	-	290-320	11 3/8 - 12 1/2
50	2A	35-50	1 3/8 - 2	340	-	310-340	12 1/4 - 13 3/8
55	2	40-55	1 5/8 - 2 1/8	360	-	330-360	13 - 14 1/8
60	2X	45-60	1 3/4 - 2 3/8	380	-	350-380	13 3/4 - 15
70	3	50-70	2 - 2 3/4	400*	-	370-400	14 1/2 - 15 3/4
80	3X	60-80	2 3/8 - 3 1/8	420*	-	390-420	15 3/8 - 16 1/2
90	4	70-90	2 3/4 - 3 1/2	440*	-	410-440	16 1/8 - 17 3/8
100	4X	80-100	3 1/8 - 4	460*	-	430-460	16 7/8 - 18 1/8
120	5	90-120	3 1/2 - 4 3/4	480*	-	450-480	17 3/4 - 18 7/8
140	6 & 6X	110-140	4 3/8 - 5 1/2	500*	-	470-500	18 1/2 - 19 5/8

\* The **Hi-Grip** Stainless range ends at 380mm diameter. We recommend the use of **Hi-Torque** clamps for sizes of 400mm and above in Stainless Steel.

## TECHNICAL & MATERIAL SPECIFICATION



Dimensions in mm

### HI-GRIP

All parts - mild steel, bright zinc plated and passivated.

### HI-GRIP STAINLESS 304

All parts BS304 - EN 1.4301/1.4576

### HI-GRIP STAINLESS 316

All parts BS316 - EN 1.4401/1.4578

Size	A	B	C	D	E	F	Recommended Torque Setting	
							NM	lb-in
12-20	7	14	10	12	9	0.7	3.0	26
22-45	8	15	12	15	13	0.9	5.0	45
50+	13	20	12	16	13	0.9	6.0	54

# HI-GRIP® WING SCREW



## HI-GRIP WING SCREW

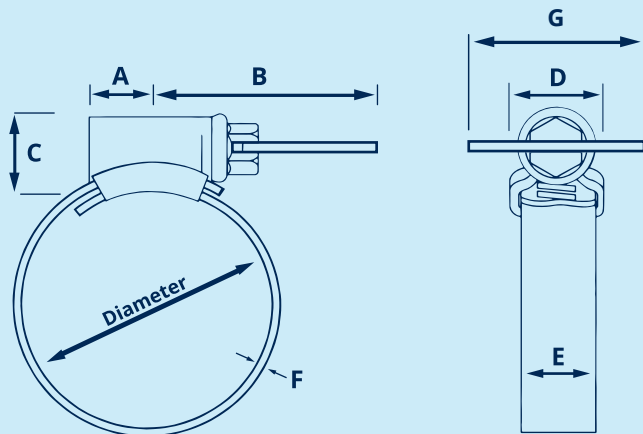
Specifically designed for frequently removed hoses, the unique dovetail locking and side lugs of the wing plate ensure excellent sealing and longevity. The soft plastic wing plate cover is kinder to unprotected fingers.

Available in both zinc plated and 304 stainless steel.

## WING SCREW RANGE

Size	No.	Dia mm	Dia ins
12	000	9.5-12	3/8 - 1/2
16	M00	11-16	1/2 - 5/8
20	00	13-20	1/2 - 3/4
22	0	14-22	5/8 - 7/8
25	0X	17-25	3/4 - 1
30	1A	22-30	7/8 - 1 1/8
35	1	25-35	1 - 1 3/8
40	1X	30-40	1 1/8 - 1 5/8
45	-	35-45	1 3/8 - 1 3/4
50	2A	35-50	1 3/8 - 2
55	2	40-55	1 5/8 - 2 1/8
60	2X	45-60	1 3/4 - 2 3/8
70	3	50-70	2 - 2 3/4
80	3X	60-80	2 3/8 - 3 1/8
90	4	70-90	2 3/4 - 3 1/2

## TECHNICAL & MATERIAL SPECIFICATION



Dimensions in mm

### HI-GRIP WING SCREW

All parts - mild steel, bright zinc plated and passivated.

### HI-GRIP WING SCREW STAINLESS 304

All parts BS304 - EN 1.4301/1.4576

Size	A	B	C	D	E	F	G	Recommended Torque Setting	
								NM	lb-in
12	7	31	10	12	9	0.7	24	3.0	26
22-45	8	32	12	15	13	0.9	24	5.0	45
50+	13	37	12	16	13	0.9	24	6.0	54

## HI-GRIP PACKAGING

Hi-Grip products are available in the following pack sizes.



### RETAIL PACKS

We supply retail pack cartons of 10 pieces (shrink wrapped into blocks of 100 cartons) for all clips in sizes 12 - 70.



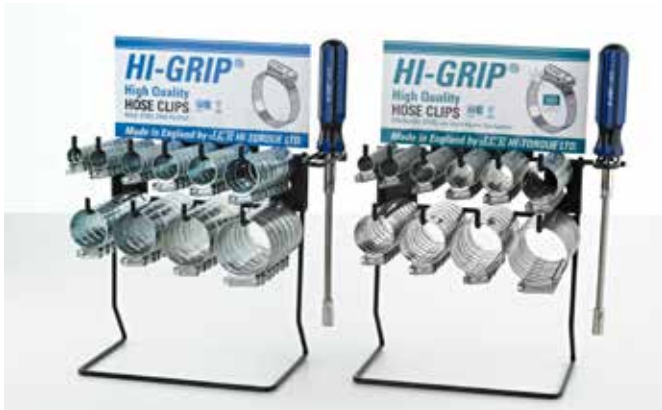
### BAG PACKS

Hi-Grip clips can also be supplied in strong polythene bags packed in quantities of 50, 25 or 10 pcs depending upon diameter sizes.



### BULK PACKS

For large users we provide a bulk pack version where Hi-Grip hose clips are packed in strong corrugated cardboard boxes.



## DISPENSERS

Available for van, wall or counter location to promote the sales of Hi-Grip hose clips. The wall and van mounted units hold 680 clips in retail packs, whilst there are versions of the counter units for both the zinc plated and stainless ranges.



## FLEXIBLE SCREWDRIVER

This purpose made screwdriver with flexible shaft to makes fitting easier even in awkward areas.